



## Cool Plus London LTD

Commercial Refrigeration & Air Conditioning

# CPL-NT6226 Split Refrigeration Unit

### TECHNICAL FEATURES

General Features	
Brand	Cool Plus
Casing Type	With housing
Application (-10/+45)	Cold Serie
Refrigerant	R404 A
Cooling Capacity (Watts)	1,755 W
Energy Efficiency (COP)	1,79
Body Model	Cool Plus Chassis 1-CPL-135
Liquid Line	1/4"
Suction Line	1/2"

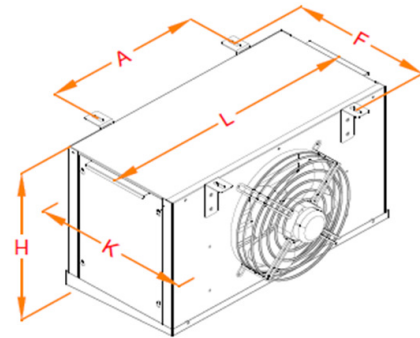
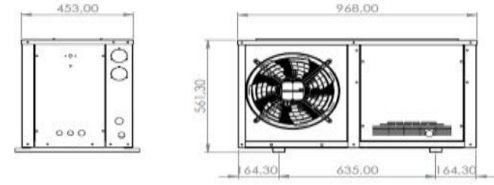
Condenser and Fan Information	
Condenser Brand	Cool Plus
Condenser Model	Cool Plus Condenser 1-CPL-135
Condenser Capacity Watts Dt = 15 °C	4,827
Condenser Fin Space (mm)	2,1
Surface Area (m <sup>2</sup> )	7,2
Air Flow (m <sup>3</sup> /h)	2,477
Fan Motor Brand	SANMU
Fan Motor Model	SANMU YWF (K) 4E 350-Z
Fan Speed (RPM)	4 Pole (~1.400 rpm)
Fan Motor (Quantity x Diameter)	1x350
Fan Motor Input Power (kW)	1x0,129
Fan Motor Power Sup. (V / Ph / Hz)	220-230/ 1 / 50

Fluid Line	
Liquid Tank	Cool Plus 2lt 1/4" Slim Vertical Liquid Tank
Filter Dryer	Danfoss 023Z455291 DML 032S Dryer 1/4"
Gas Sightglass	Danfoss 014-0181 SGN 6S - 1/4"
Solenoid Valve	-
Solenoid Valve Coil	-
Acoustic Isolation	CDU T.BAND AKUSTICELL E 35/10 PYRAMID

Controls	
High Pressure Control	Danfoss 061F9054 ACB-2UC56W Y.B.O. 21,0/28,0 bar
Low Pressure Control	Danfoss 061F9032 ACB-2UC32W A.B.O. 0,3/1,8 bar
Fan Control	Danfoss 061F8333 ACB-2UA305W F.K. 13,0 / 16,0 bar
Electric Panel	Cool Plus Electric Panel

Compressor Features	
Compressor Brand	EMBRACO
Compressor Type	Hermetic
Compressor Model	NT6226GK
Compressor Crankcase Heater	-
Compressor Quantity & Power (Pcs-Hp)	1 x 1 HP
Compressor Power Sup. (V / Ph / Hz)	220-230/ 1 / 50
Compressor Discharge line (Ø inches)	1/4"
Compressor Suction line (Ø inches)	1/2"

Evaporator Features	
Evaporator Brand	ORCA
Evaporator Model	ORE 30.11.6
Air Flow Rate (m <sup>3</sup> /h)	1170
Fin Spacing	6 mm
Fan Model	Ø 300 mm
Fan Quantity	1
Surface Area (m <sup>2</sup> )	4,8
Evaporator Quantity	1
Other	GALVANIZED COPPER PIPE ALUMINUM LAMEL RESISTANCE E1



Boyutlar / Dimensions					
L	K	H	A	A1	F
mm	mm	mm	mm	mm	mm
708	525	450	430	-	383



[londoncoolplus.co.uk](http://londoncoolplus.co.uk)



[info@londoncoolplus.co.uk](mailto:info@londoncoolplus.co.uk)



22 Vega Road BUSHEY  
WD23 4FX  
United Kingdom